

STIM320

- Small size, low weight and low cost
- ITAR free
- Insensitive to magnetic fields
- User programmable bias trim offset
- Multi module transmission
- 0.4 °/h gyro bias instability
- 0.10 °/√h angular random walk
- ±400 °/s angular rate input range
- 10 °/h gyro bias error over temperature gradients
- 0.003 mg accelerometer bias instability
- 0.015 m/s/√h accelerometer noise
- ±10 g acceleration input range



(39 mm x 45 mm x 22 mm)

STIM320 is a new tactical grade Inertial Measurement Unit (IMU) in the STIM300 family. It has increased performance for demanding guidance and navigation applications. STIM320 is comprised of 3 highly accurate MEMS gyros and 3 high stability accelerometers. The IMU is factory calibrated and compensated for temperature effects over the full temperature operating range.

The STIM320 is based upon Sensoror's proven gyro sensor technology in production for more than two decades. It performs exceptionally well across many applications due to its very low vibration and shock sensitivity. The IMU is qualified according to high-performance aircraft vibration standard.

Range and features

STIM320 full-scale angular rate input range is ±400 °/s and the output is capped at ±480 °/s. Acceleration input range is ±10 g. Axis misalignment of as little as 1 mrad is achieved by electronic axis alignment. STIM320 requires a single 5 V power supply and has a RS422 serial interface.

STIM320 has a Bias Trim Offset function, allowing the user zero out any bias offset of all six axes individually. The bias offsets can be stored in the flash memory to remain in effect after powering off the IMU.

STIM320 can also be enabled to have multi module transmission. That means that several STIM320 can be connected to the same RS422 line.

STIM320 offers several user selectable output formats and sample rates for gyro and accelerometer data:

- Angular Rate
- Incremental Angle
- Average Angular Rate
- Integrated Angle
- Acceleration
- Average Acceleration
- Integrated Velocity
- Incremental Velocity

Device configurations and self-diagnostics

A reliable RISC ARM microcontroller enables easy device configuration and programming. The user can set output unit format, sample frequency and datagram content, LP filter cut-off frequency, RS422 transmission bit rate and line termination. STIM320 is continuously monitoring its internal status and track more than 100 parameters that the user also can access. This includes monitoring of:

- Internal references
- Sensors for error and overload
- Internal temperatures
- RAM and flash
- Supply voltage

Evaluation tools

STIM320 evaluation tools supporting PCIe or USB connectivity are available. The evaluation tool offer easy access to measurement data and configuration of the IMU. It supports data sampling at different rates, graphical presentation, and data logging to file. The evaluation tool contains a RS422 interface for USB or PCIe hardware setup, all necessary cabling, and software.

Application areas

The STIM320 IMU is well suited for stabilization, guidance and navigation applications in Industrial, Aerospace and Defence markets. The design is field proven in Military Land Navigators, Missile systems, Target acquisition systems, Airborne surveillance, DIRCM, Remote Weapon Systems, Launch vehicles and Satellites. In many applications, STIM320 can competitively replace IMUs based on Fiber Optic Gyros (FOGs) and improve system performance with respect to robustness, reliability, size, weight, power and cost.

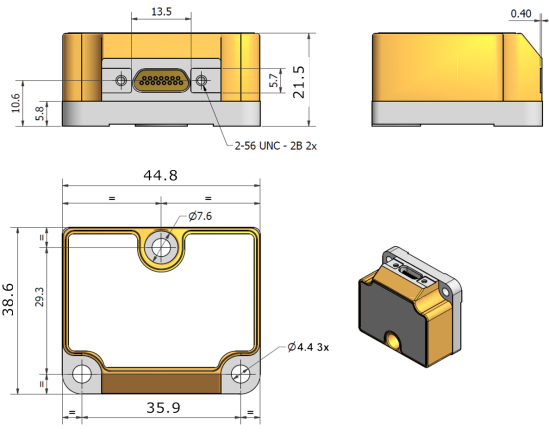
STIM320 Inertia Measurement Unit

Parameter	Min	Nom	Max	Unit
GENERAL				
Weight		57		g
Operating temperature	-40		85	°C
Supply voltage	4.5	5.0	5.5	V
Power consumption	1.8	2.5		W
Time to valid data		5	7	s
Sample rate			2000	SPS
Mechanical shock, any direction			1500	g
RS422 transmission bit rate			5.18	Mbit/s
Misalignment		1		mrad
GYRO				
Input range		±400		°/s
Non-linearity (condition: ±200 °/s)		15		ppm
Resolution		0.22		°/h
Bias instability		0.4		°/h
Angular random walk		0.10		°/√h
Bias error over temperature gradients		±10 ¹⁾		°/h rms
Linear acceleration effect				
Bias (no g-compensation)		7		°/h/g
Bias (with g-compensation)		1		°/h/g
Scale factor (no g-compensation)		400		ppm/g
Scale factor (with g-compensation)		50		ppm/g
Scale factor accuracy		±500		ppm
ACCELEROMETER				
Input range		±10		g
Resolution		1.9		μg
Bias instability		0.003		mg
Velocity random walk		0.015		m/s/√h
Bias error over temperature gradients		±0.7 ¹⁾		mg rms
Scale factor accuracy		±200		ppm

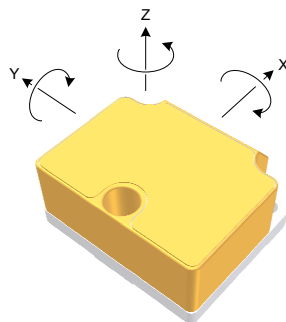
1) Condition: ΔT ≤ 1°C/min

MECHANICAL DIMENSIONS

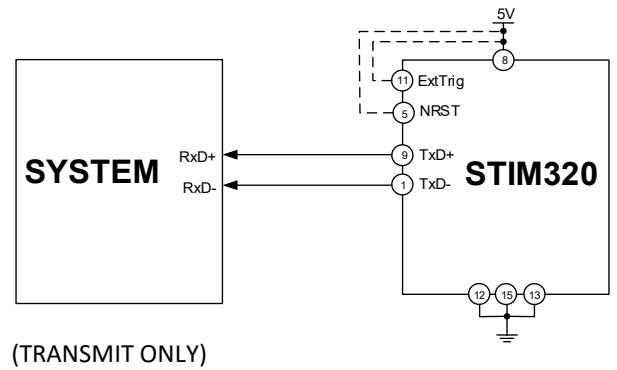
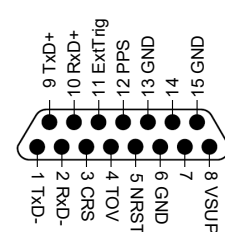
All dimensions in mm. Volume < 2,0 cu. in (33 cm³)



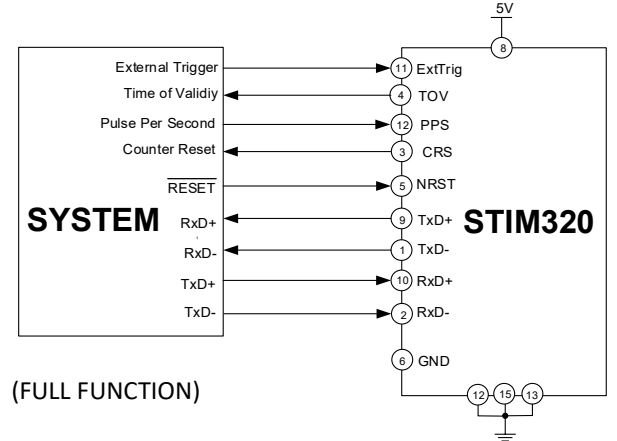
AXIS DEFINITIONS



PINOUT



(TRANSMIT ONLY)



(FULL FUNCTION)

FUNCTIONAL BLOCK DIAGRAM

