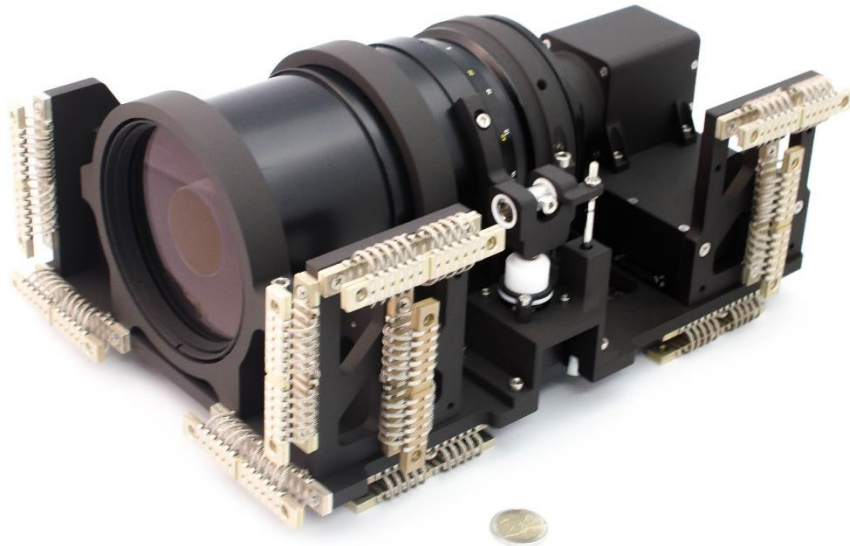


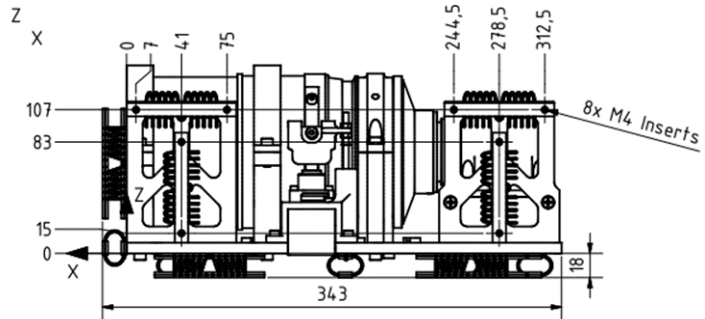
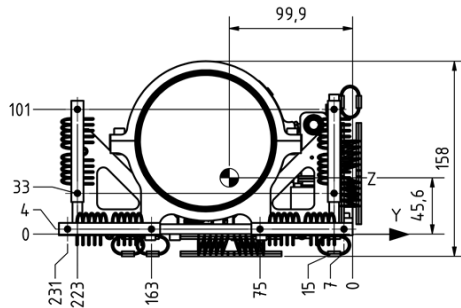
High Resolution Video Camera

High Resolution Video Imagers made by BST allow interactive and real-time operation. This innovative mode of operation supports all missions where time is most precious – search and rescue as well as security. Moreover moving pictures are easy to understand and add to the political value of your small satellite mission. The HRVI-6HD has space heritage and is fully space qualified.



High Resolution Video Camera (HRVI-6HD)

CHARACTERISTICS	
Resolution (@ 550km)	6m GSD
Scene Size (@ 550km)	12x9km ²
Spectral Band	450-630nm
Channels	3 channel (RGB)
Size	245x343x158mm ³
Weight	5450g
Storage Temperature	-20°C to +40°C
Operating Temperature	0°C to +30°C
Design Life	5 years LEO
Space Heritage	Yes



INTERFACES & CAPABILITIES	HRVI-6HD
Resolution (@ 550km)	6m
Scene Size	12x9km ²
Spectral Band	450-660nm
Channels	RGB
	450-475nm 530-560nm 620-660nm
Bit Depth	8/10/12
MTF	>0.1
SNR	>100
Camera Raw Data Rate	1.4 Gbit/s
DPU	
Storage	240GB
Processing Speed	5.6 GFlops
Compression	JPEG2000 H.264 selectable ratio
CCSDS Engine	Yes
Science Data Encryption	optional
X-Band Data Output	LVDS
TMTC Interface	RS422